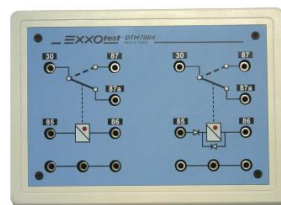


The DTM7000 model is a teaching support intended for studying the basics of electricity applied to automotive.



DESIGN

The set consists of 9 separate units to be wired together to obtain a full operational system. Each unit can be studied separately to go deeper into particular function study.

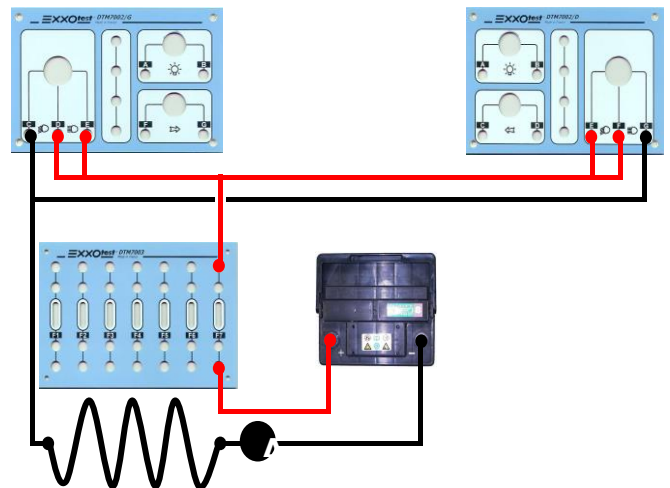


OBJECTIVES

- Proceed to a full wiring reconstitution of a complete set of automotive lighting and signage functions.
- Apply the laws of electricity: Ohm, etc.
- Study of different sub-assemblies: fuses, switches, bulbs, etc.
- Electrical diagram reading and interpretation.

SPECIFICATIONS

- DTM7001D : Rear right light cluster.
- DTM7001G : Rear left light cluster.
- DTM7002D : Front right light unit.
- DTM7002G : Front left light unit.
- DTM7003 : 7 fuses panel.
- DTM7004 : 2 on/off relay, 1 with freewheel diode and polarization direction.
- DTM7005 : Dashboard.
- DTM7006 : Lighting selector switch, position indicator and horn.
- DTM7007 : Hazard warning lights switch.
- DTM7008 : Flasher unit.



OTHER

- Power supply: 12vDc (not included)
- Size: 600 X 400 X 300 mm (transportation box)
- Gross weight : 9 Kg (ready to ship)
- Net weight: 8 Kg

Find all **EXXOTEST**[®] products on the Internet: www.exxotest.com